

Technical Data Sheet – Magnet Typ PL/E

Product Description

The PL/E holding magnet consists of a stable plastic housing with a strong magnetic package. The magnet is used to hold and fix formwork, incl. fixing holes for direct mounting of formwork boards

Product Features

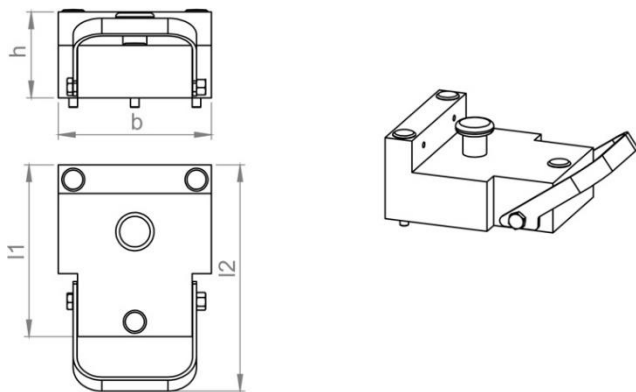
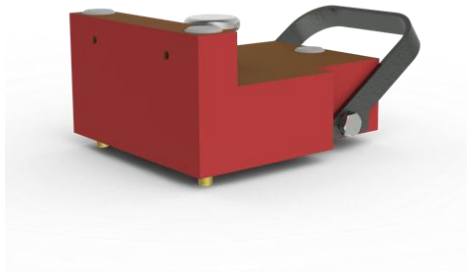
- ::: Fast and efficient work due to MagFly® technology
- ::: Easy release by hand or foot due to brackets
- ::: Low weight and therefore good handling
- ::: Ideal as supporting magnet for fixing formwork

Areas of Application

- ::: For formwork completion
- ::: Window and door recesses made of wood or aluminium

Technical Data

Article number	8004052	8004054	8004053
Name	PL/E 400	PL/E 650	PL/E 850
Adhesive force (N)	4.000	6.500	8.500
Mass (kg)	3,7	3,7	3,7
L1 (mm)	180	180	180
L2 (mm)	252	252	252
W (mm)	160	160	160
H (mm)	90	90	90



The information in this data sheet was provided with care based on our experience and the respective known state of science and technology but is non-binding. They are to be adapted to the respective building object, intended use and the special local stresses. Provided that this is the case, we ask you to understand that we limit our liability for the information given in this data sheet and accept no liability in the event of intent, gross negligence or infringement of the instructions. In any case, the recognised rules of technology must be observed.

Edition 05/19 - This data sheet has been technically revised. Previous editions are invalid. If a new edition has been technically revised, this edition loses its validity. Please check whether you are in possession of the current edition.